



Application

- In Car electronic equipment
- Car Audio Systems
- Car Navigation Systems
- Telematics Information Systems
- Other vibration and impactive electronic devices

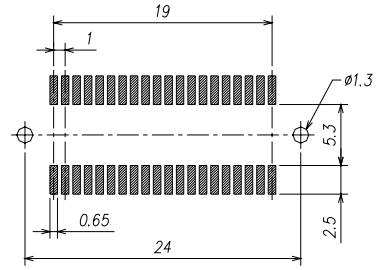
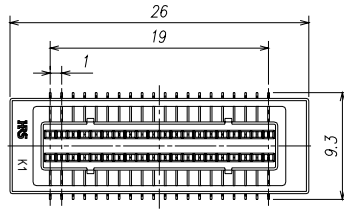
Features

- The 1.0mm pitch stacking connector with a built-in floating mechanism. (x,y,z-direction with displacement $\pm 0.5\text{mm}$)
- Variable stacking heights (when joint connector is changed)
- Automatic mounting : SMT Type
- Compliance with RoHS' Directive

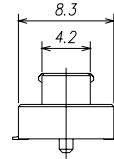
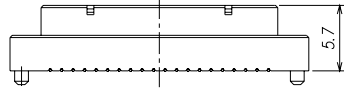
Specification

Current Rating	Contact Resistance	Operating Temperature	Withstand Voltage	Insulation Resistance
125V 0.5A	50m	-30°C ~ +105°C	500 VAC / 1min	1,000M

40P

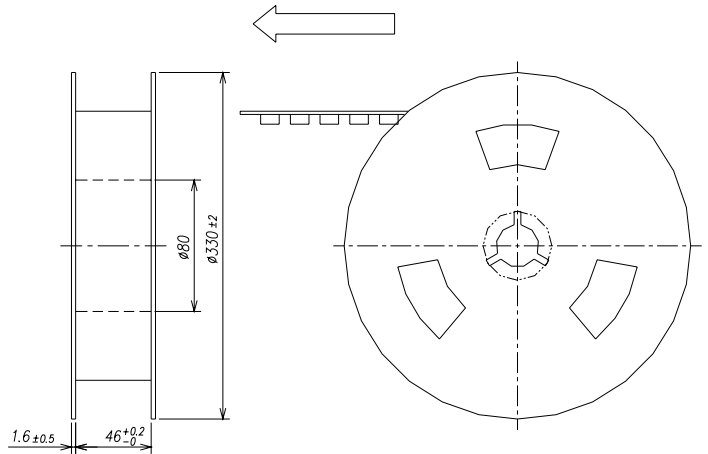
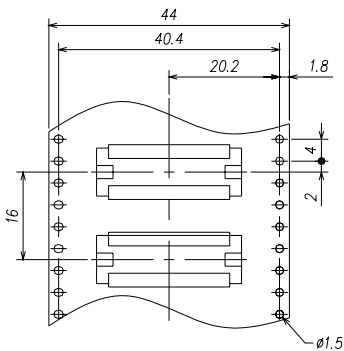


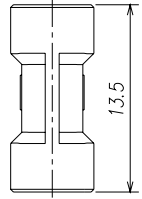
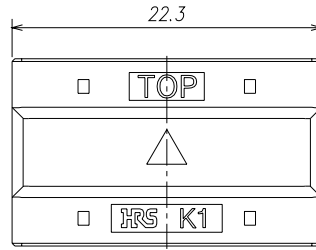
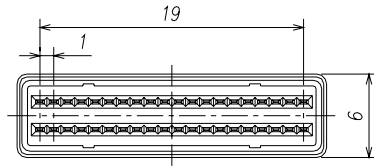
< PCB LAYOUT >



Part No	Material		Color / Finish	
	Case	Pin	Case	Pin
KM16-40DS-1.0V	Heat Resistant Resin	Copper Alloy	Black	Sn

Emboss Tape Dimension





Part No	Material		Color / Finish	
	Case	Pin	Case	Pin
KM16-40DP-JOINT	PBT	Copper Alloy	Gray	Sn