

## Application

- In Car electronic equipment
- Automotive audio systems
- Hand-free
- ECU

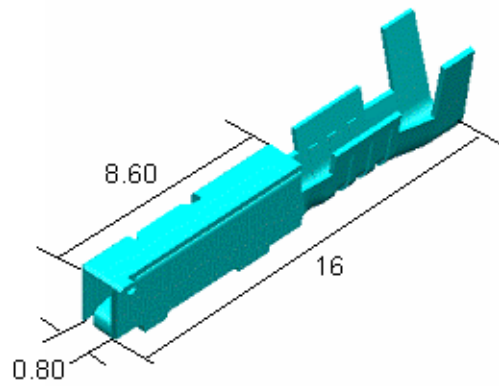
## Features

- Space saving design
- Double-lock mechanism to positive contact retention
- Housing assemblies for horizontal and vertical mounting
- High-density wiring connectors

## Specification

Rated Current	Contact Resistance	Operating Temperature	Withstand Voltage	Insulation Resistance
125V 5A	50m $\Omega$	-30°C ~ +105°C	500V AC / 1min	100M $\Omega$

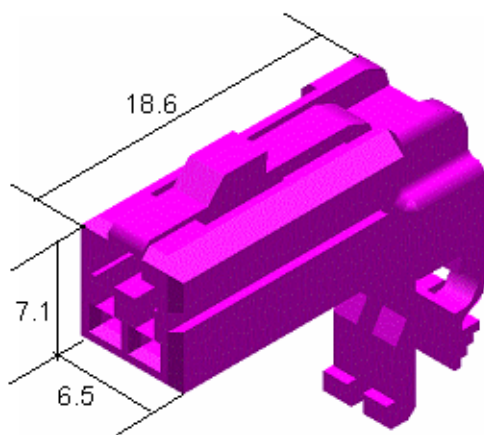
## Terminal



Part No	KM01-2022SCF
CL No	6413-0017-2
Material	Cu Alloy (Pre-Tin)
Finish	(B) Sn
Wire range	AWG #20 to 22
	0.3~0.5(mm <sup>2</sup> )

## Housing

2P



Part No	KM01-2S-HU
CL No	6413-0022-2
Material	PBT
Color	Black

## 12P

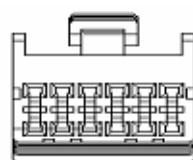
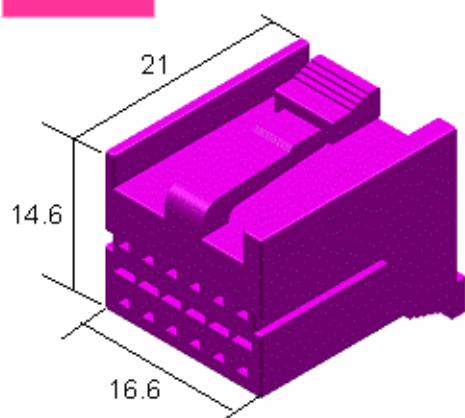


Figure 1

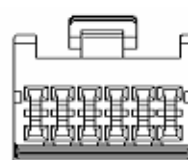


Figure 2

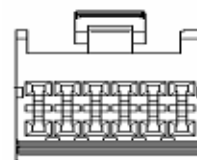
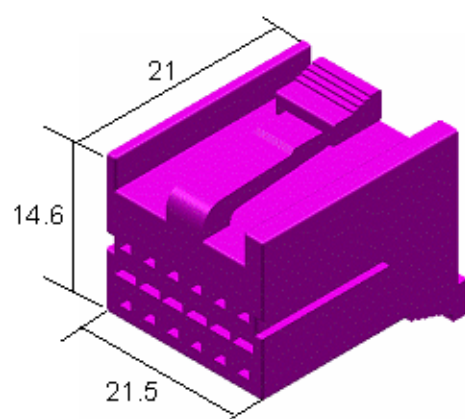


Figure 3

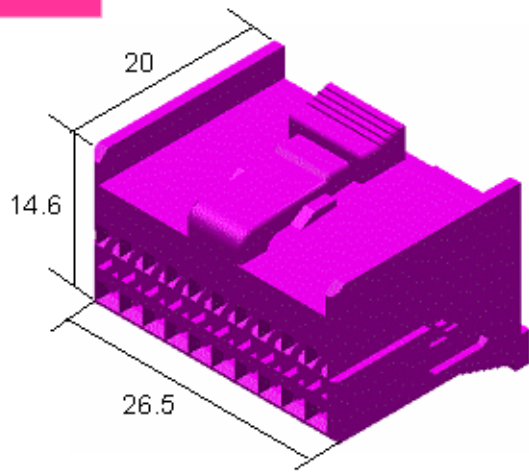
Part No	CL No	Material	Color	Key code
KM01-12DS-HU	CL-6413-0011-6	PBT	Black	Figure 1
KM01-12DS-HU(A)	CL-6413-0020-7		Black	Figure 2
KM01-12DS-HU(B)	CL-6413-0021-0		White	Figure 3

## 16P



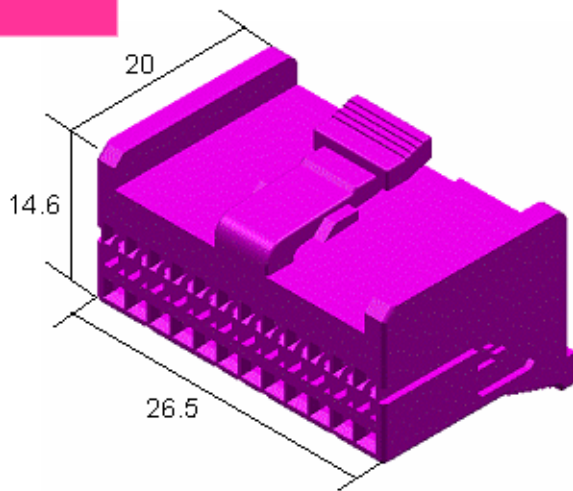
Part No	KM01-16S-HU
CL No	6413-0012-9
Material	PBT
Color	Black

**20P**



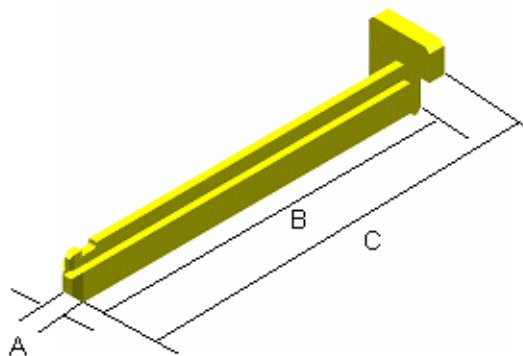
Part No	KM01-20S-HU
CL No	6413-0013-1
Material	PBT
Color	Black

**24P**



Part No	KM01-24S-HU
CL No	
Material	PBT
Color	Black

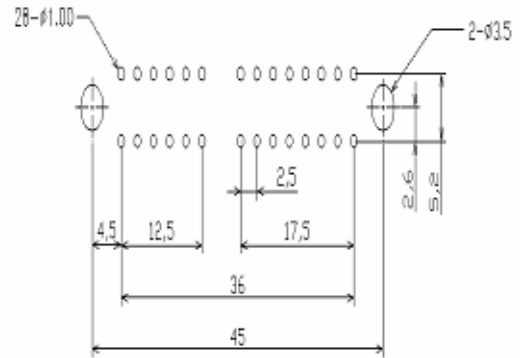
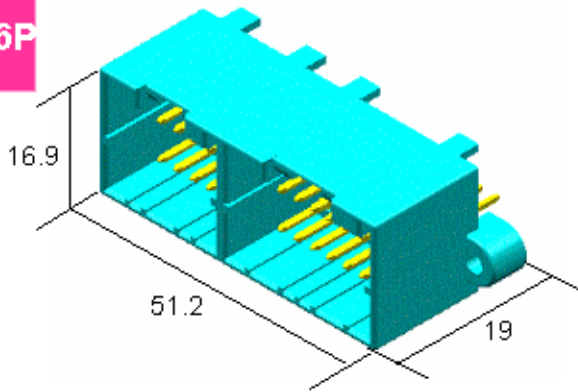
## Retainer



Part No	CL No	Material	Color	Dimension		
				A	B	C
KM01-12DS-R	CL-6413-0014-4	PBT	Natural	1.90	15.8	17.2
KM01-16DS-R	CL-6413-0015-7			1.90	20.8	22.2
KM01-20DS-R	CL-6413-0016-0			1.90	25.8	27.2
KM01-24DS-R				1.90	30.8	32.2

**Straight Type**

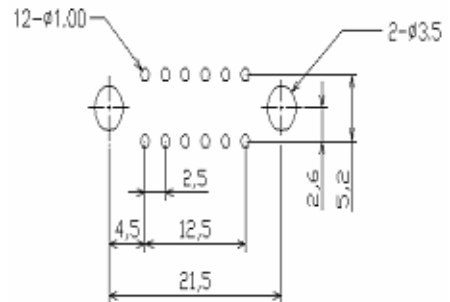
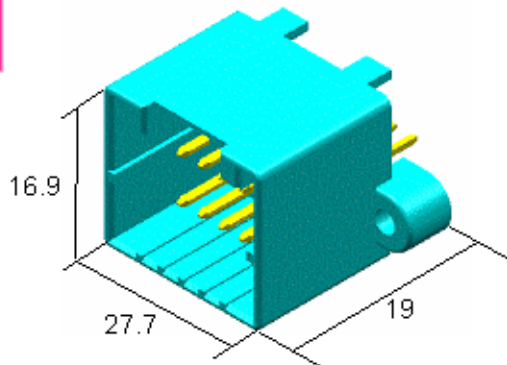
**12P+16P**



PC Board layout

Part No		KM01-12/16DP-2.5DSA	
CL No		CL 6413-0009-4	
Material	Housing	PBT	
	Pin	Brass	
Color		Black	

**12P**



PC Board layout

Part No	CL No	Material		Color	Key Code
		Housing	Pin		
KM01-12DP-2.5DSA(A)	CL 6413-0018-5	PBT	Brass	Black	Figure1
KM01-12DP-2.5DSA(B)	CL 6413-0019-8			White	Figure 2

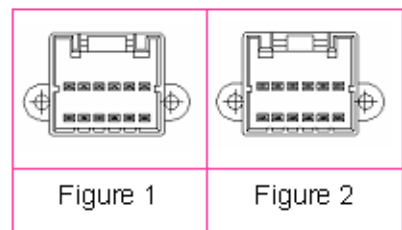
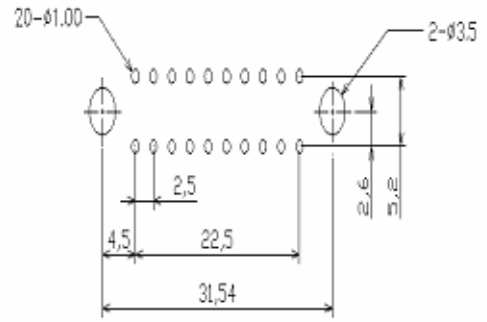
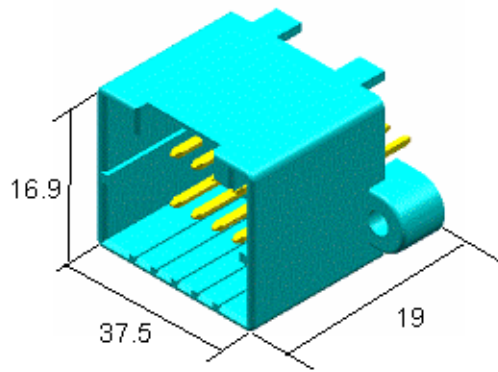


Figure 1

Figure 2

20P

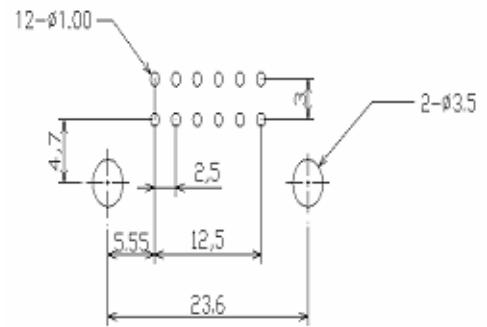
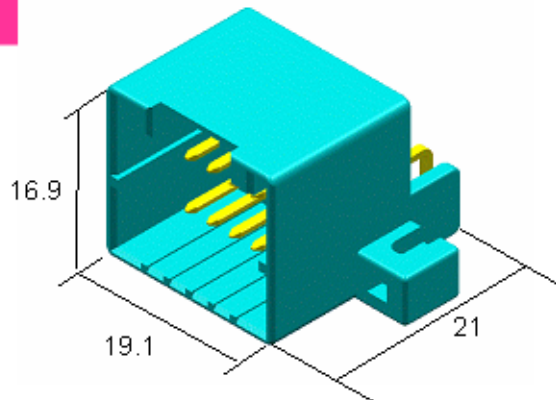


PC Board layout

Part No	KM01-20DP-2.5DSA	
CL No	CL 6413-0008-1	
Material	Housing	PBT
	Pin	Brass
Color	Black	

## Right Angle Type

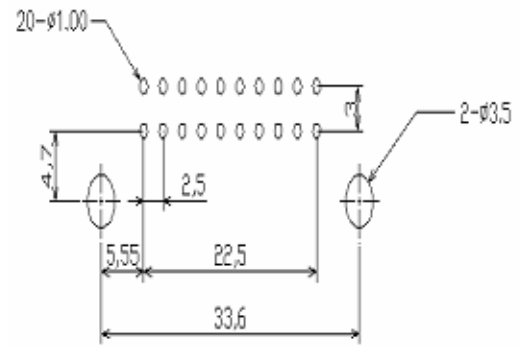
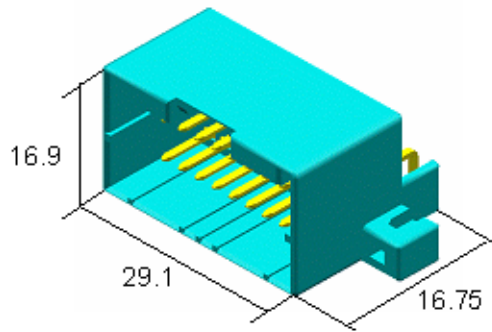
12P



PC Board layout

Part No	KM01-12DP-2.5DS	
CL No		
Material	Housing	PBT
	Pin	Brass
Color	Black	

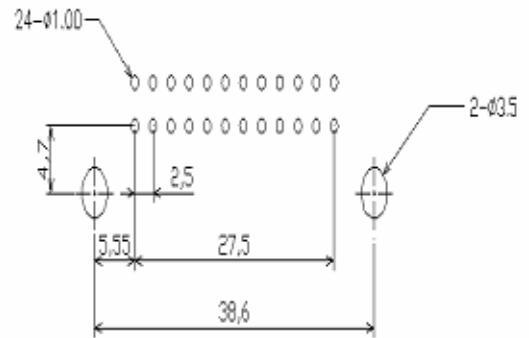
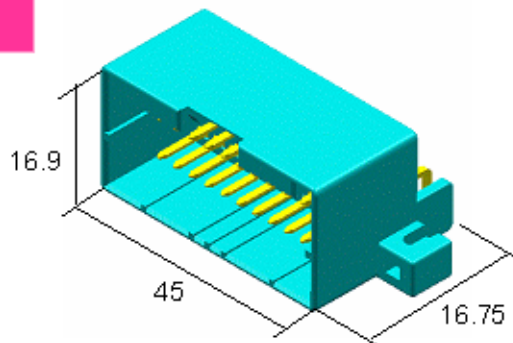
20P



PC Board layout

Part No	KM01-20DP-2.5DS	
CL No	CL 6413-0010-3	
Material	Housing	PBT
	Pin	Brass
Color	Black	

24P



PC Board layout

Part No	KM01-24DP-2.5DS	
CL No		
Material	Housing	PBT
	Pin	Brass
Color	Black	