



### Application

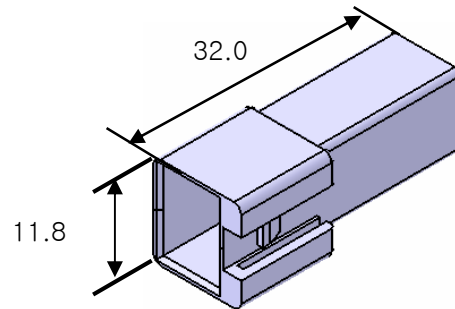
- Automotive Glass antenna systems
- Automotive audio Ground connection systems

### Features

- one-step assemblies
- The work characteristic which is convenient

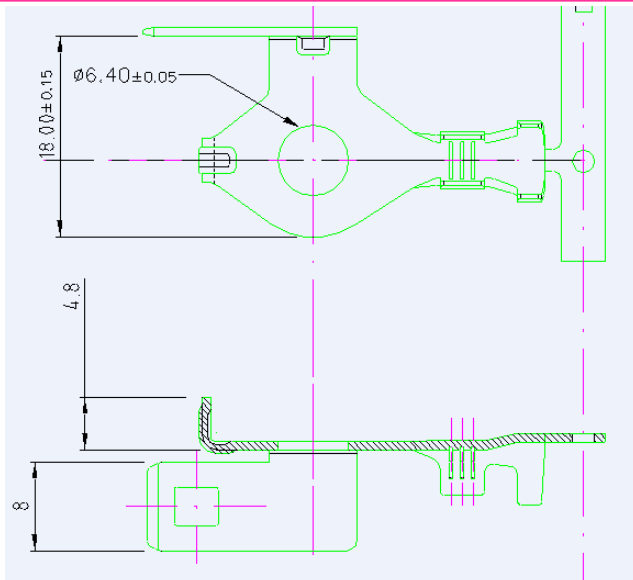
## Housing

1P



Part No	KM250-1P-HU
CL No	6427-0003-0-000
Material	PA66
Color	Black

## Ring Terminal



LH



RH



Part No	CL NO	Conductor Size(AWG)	Outer Diameter
KM18-R6-30C	6427-0002-8-000	AWG10~12	$\phi 2.0 \sim 3.0$
KM18-R6-30C-LH	6427-0005-6-000		