



Application

- AVN (Audio, Video, Navigation)
- Automotive 3G Modem
- Automotive audio systems

Features

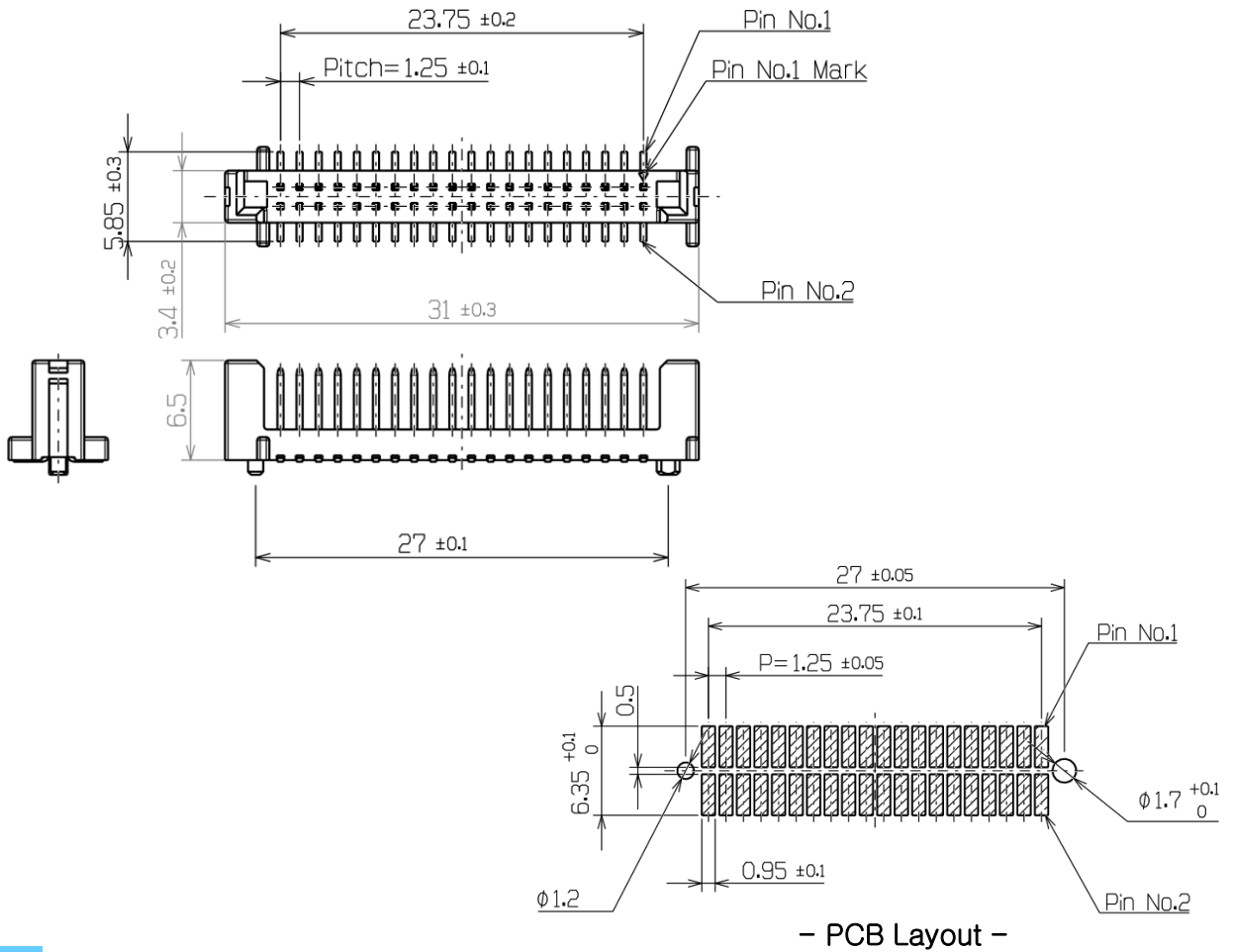
- Double rows of 1.25mm pitch miniature connectors working as interfaces between PCB and PCB and supporting high-density mounting.
- Highly reliable contact and retention force with both side contact design.
- For add guide structure, prevent deformation during assembly

Specification

Current Rating	Contact Resistance	Operating Temperature	Withstand Voltage	Insulation Resistance
200V 1A	30mΩ	-50°C ~ +125°C	500 VAC / 1min	100MΩ(Min)

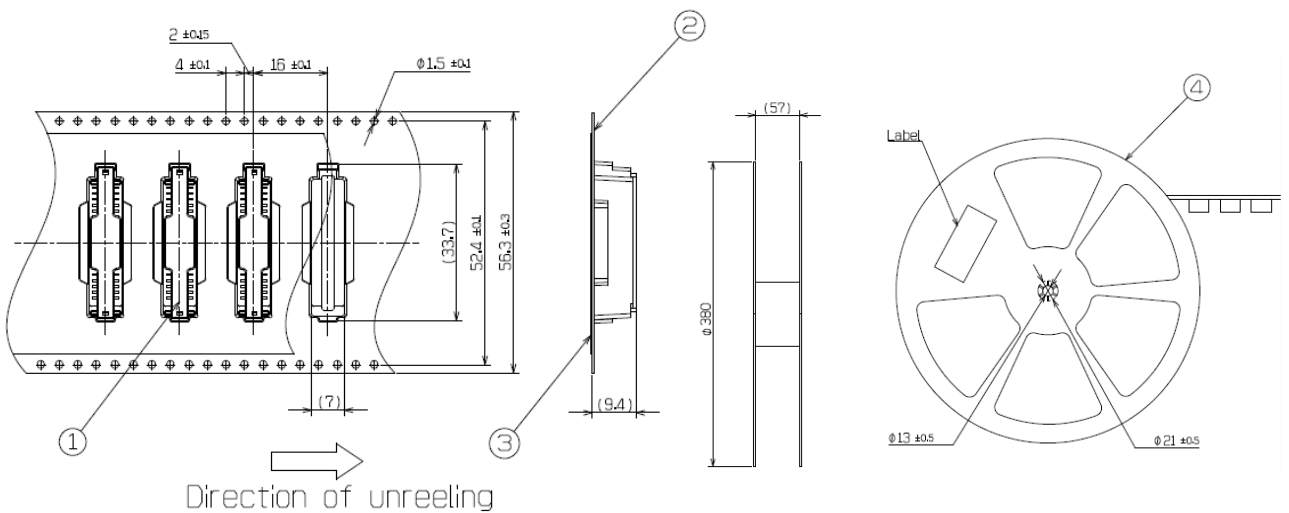
Board to Board Connector

KM17E-40DP-1.25V



- PCB Layout -

Emboss Tape Dimension

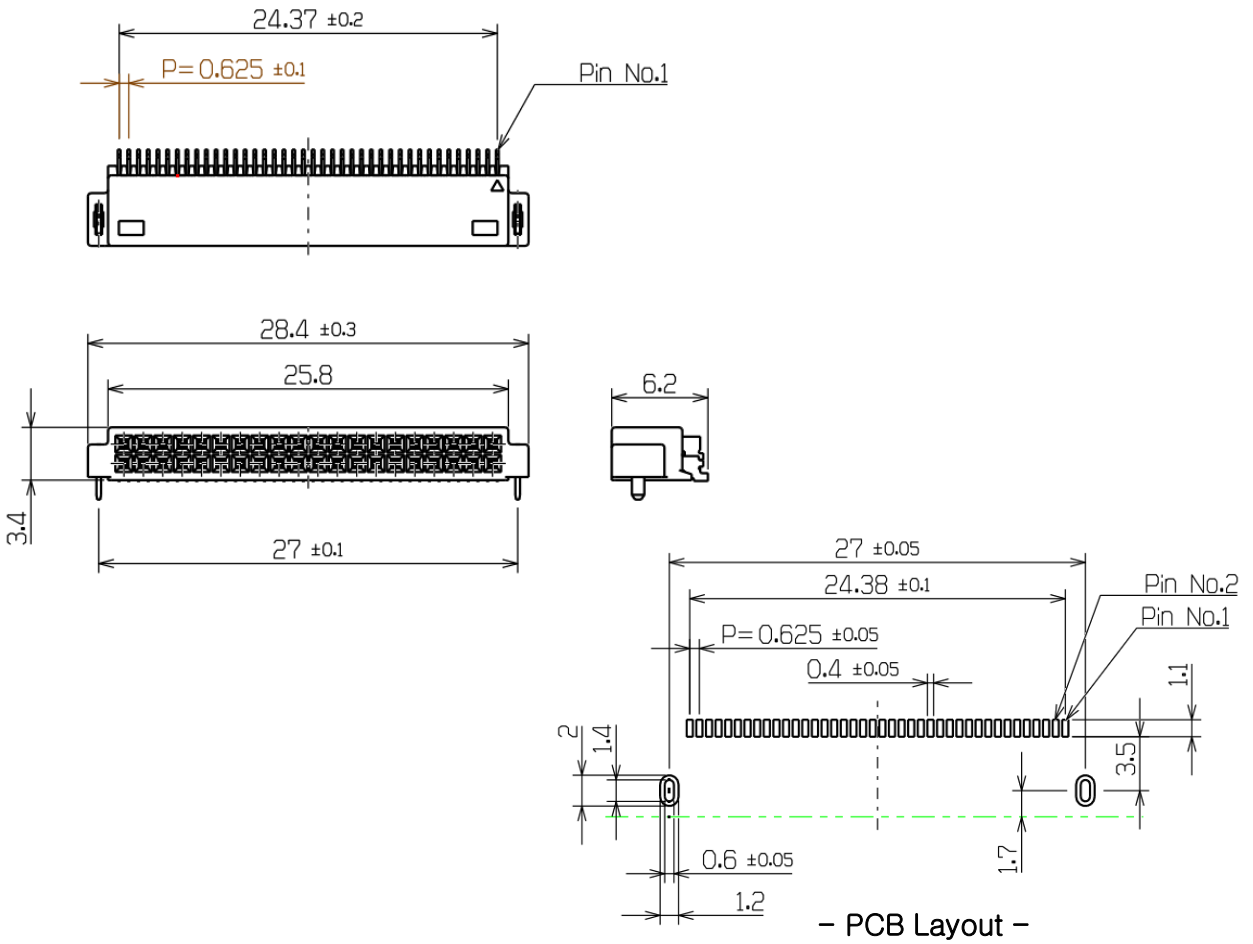


Package

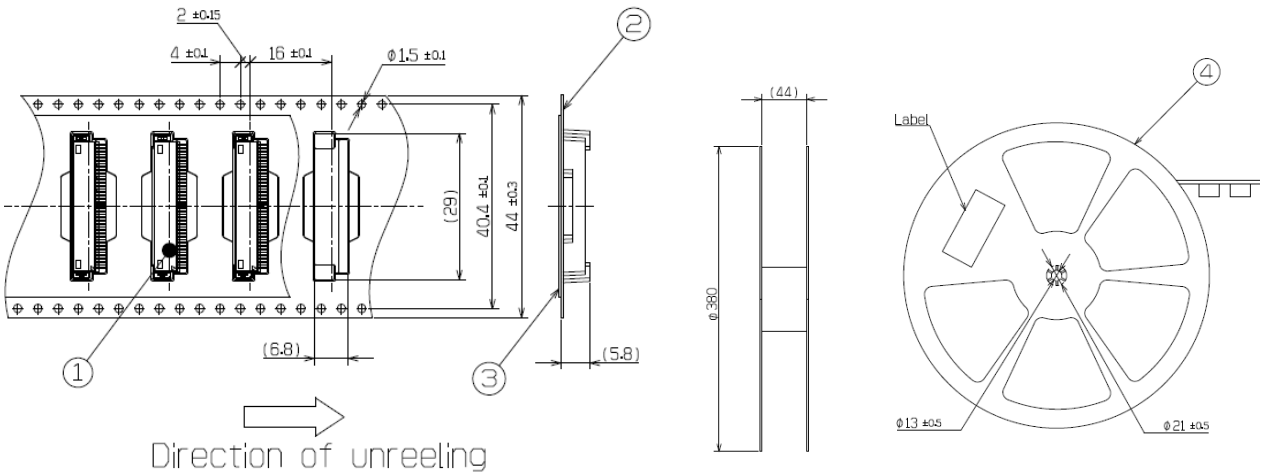
Package	Remark
Pack	600 ea / Reel

Board to Board Connector

KM17E-40DS-1.25H



Emboss Tape Dimension



Package

Package	Remark
Pack	1,000 ea / Reel