

Application

- In-car communication
- Automotive Radio/TV antenna systems
- Automotive audio systems
- Keyless Entry Systems
- Variety of communication equipment

Features

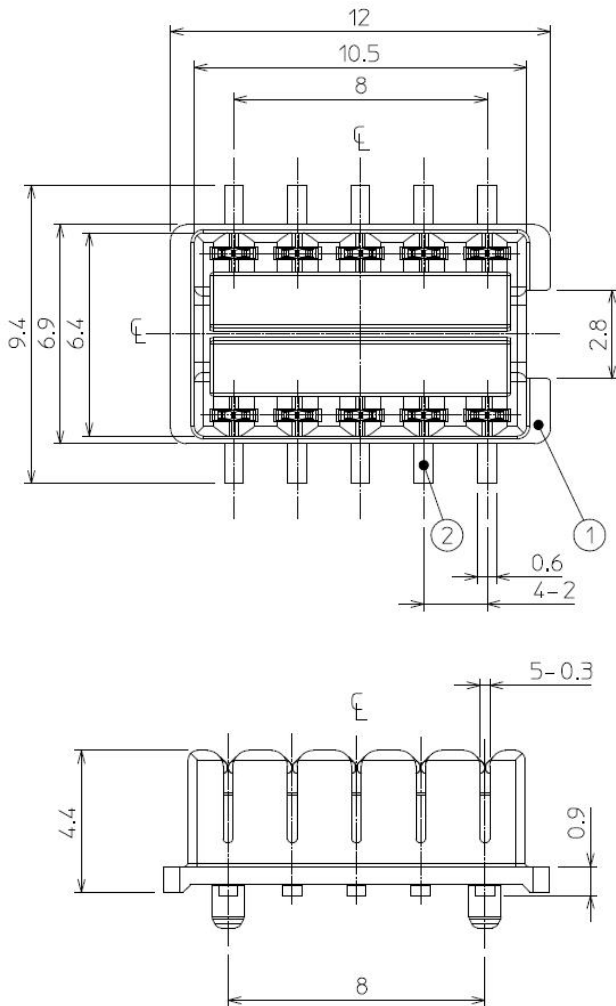
- One-step Crimp Termination
- Shock / vibration resistant electrical connections
- Meet Automobile Specifications:
Locking Mechanism, Scoop-proof
Prevention for Insufficient Contact Installation, etc
- Cost reduction for component, die, and assembly:
Integral Molding of Insulator and Housing

Specification

Current Rating	Contact Resistance	Operating Temperature	Withstand Voltage	Insulation Resistance
125V 1A	100mΩ (Max)	-30°C ~ +75°C	500 VAC / 1min	1,000MΩ(Min)

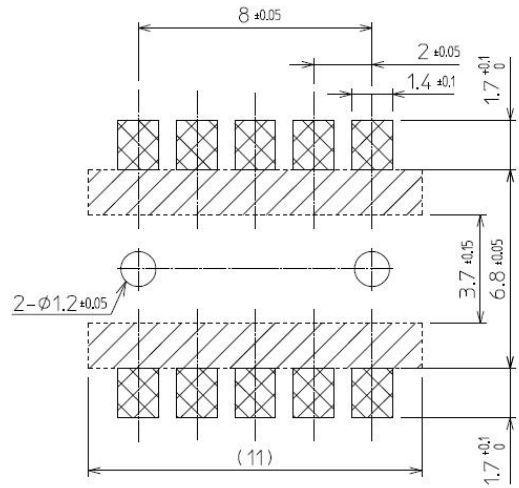
Board to Board Connector

KM16A-10DP-2V



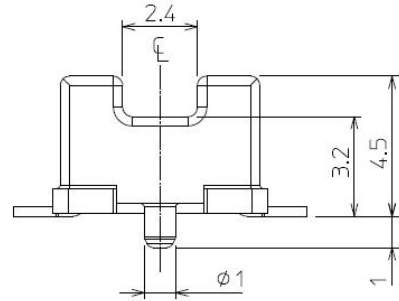
Recommended pcb layout

- top view -



Note-

- 1) 지시부는 제품 실장부
- 2) 지시부는 PCB 회로구성을 피할 것.



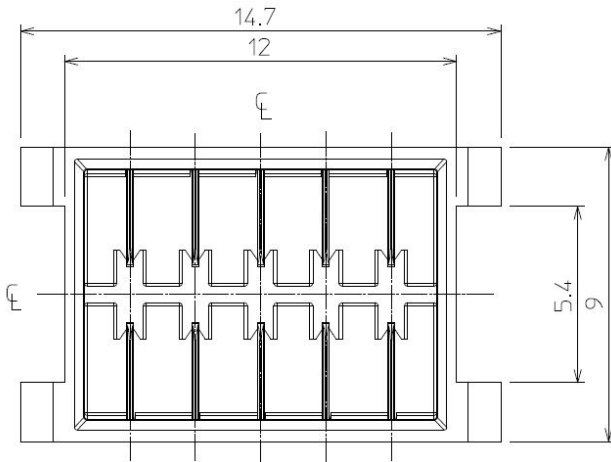
Part Name		KM16A-10DP-2V	
CL No		6425-0003-8	
Material	1	Housing	LCP
	2	Terminal	Copper Alloy
Color		Black	

Package

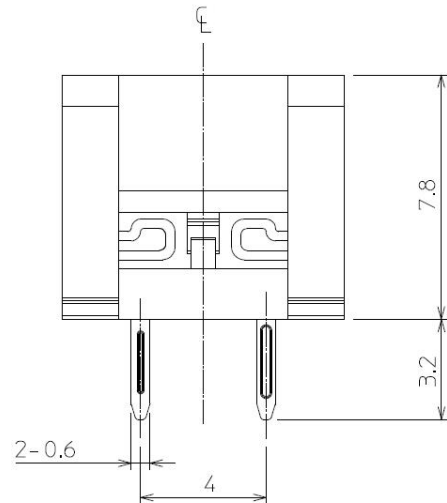
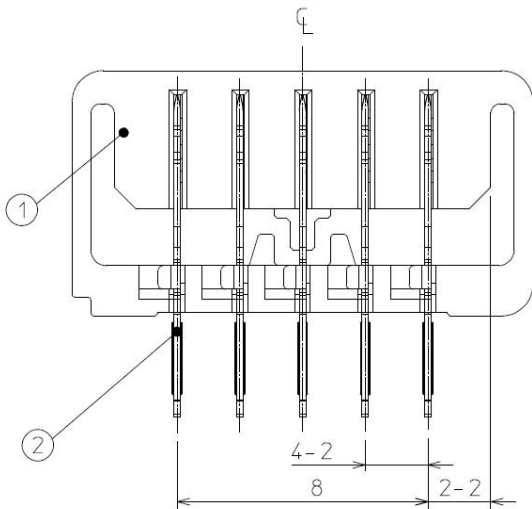
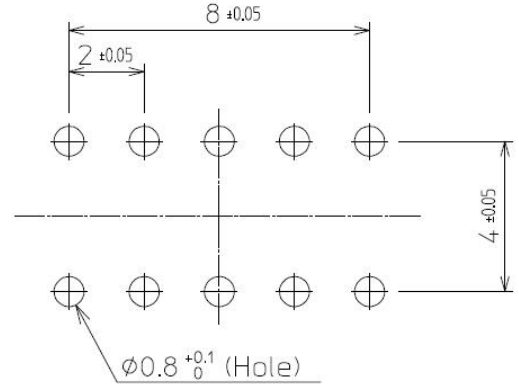
Package	Remark
Box	7,548 EA

Board to Board Connector

KM16A-10DS-2DSA



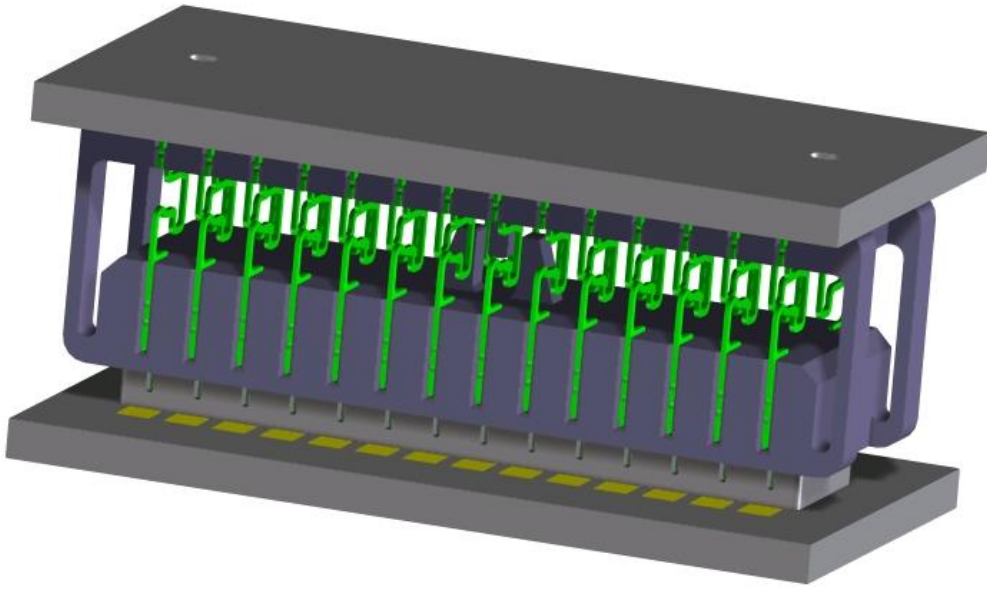
Recommended pcb layout
- top view -



Part Name		KM16A-10DS-2DSA	
CL No		6425-0004-0	
Material	1	Housing	PBT
	2	Terminal	Copper Alloy
Color		Black	

Package

Package	Remark
Box	3,906 EA



Application

- In-car communication
- Automotive Radio/TV antenna systems
- Automotive audio systems
- Keyless Entry Systems
- Variety of communication equipment

Features

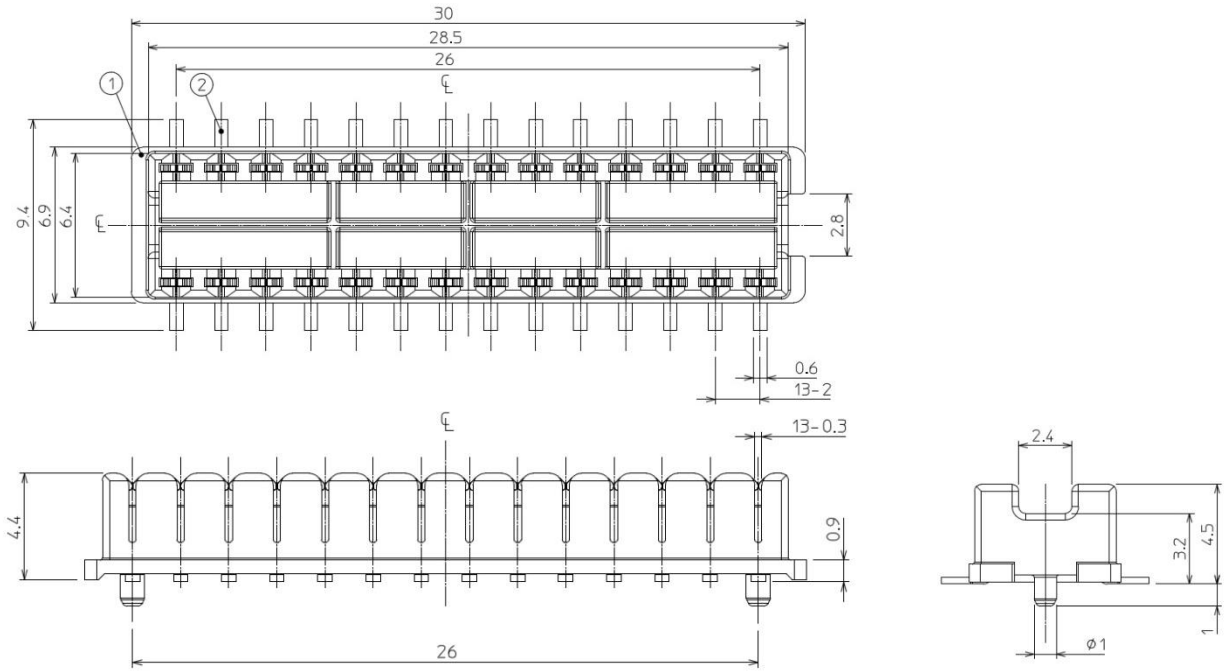
- One-step Crimp Termination
- Shock / vibration resistant electrical connections
- Meet Automobile Specifications:
Locking Mechanism, Scoop-proof
Prevention for Insufficient Contact Installation, etc
- Cost reduction for component, die, and assembly:
Integral Molding of Insulator and Housing

Specification

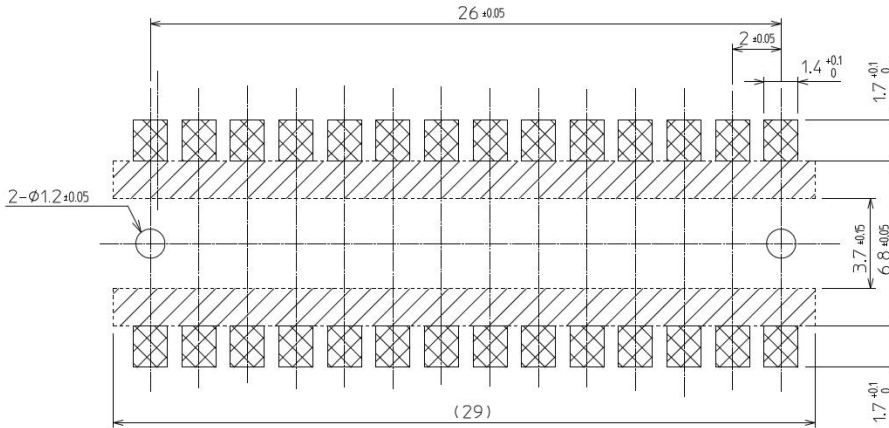
Current Rating	Contact Resistance	Operating Temperature	Withstand Voltage	Insulation Resistance
125V 1A	100mΩ (Max)	-30°C ~ +75°C	500 VAC / 1min	1,000MΩ(Min)

Board to Board Connector

KM16A-28DP-2V



Recommended pcb layout
- top view -



NOTE-

- 1) 지시부는 제품 실장부
- 2) 지시부는 PCB 회로구성을 피할 것.

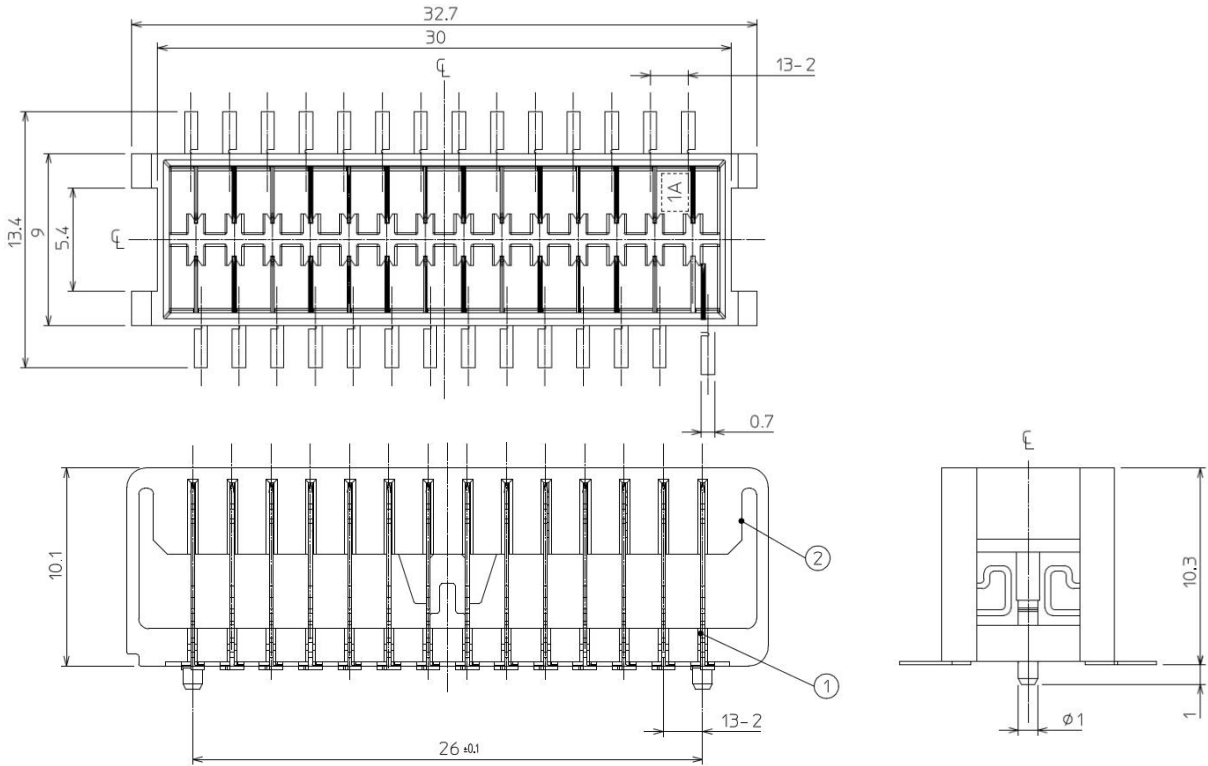
Part Name		KM16A-28DP-2V	
CL No		6425-0005-3	
Material	1	Housing	LCP
	2	Terminal	Copper Alloy
Color		Black	

Package

Package	Remark
Box	3,606EA

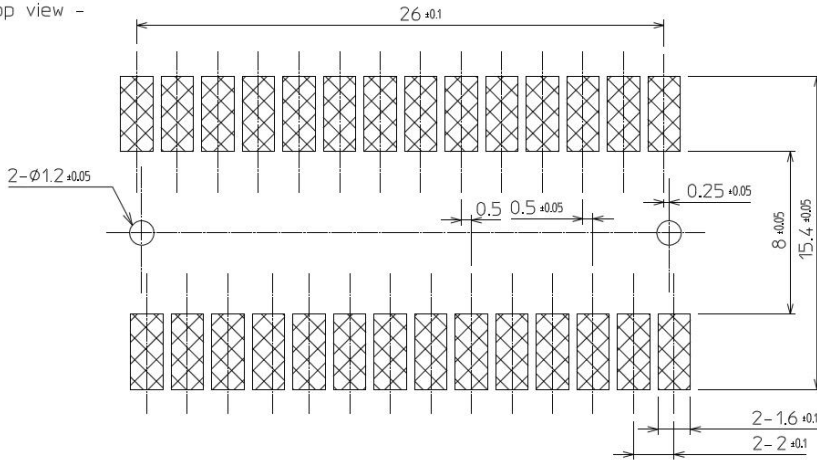
Board to Board Connector

KM16A-28DS-2V



Recommended pcb layout

- top view -



Part Name		KM16A-28DS-2V	
CL No		6425-0006-6	
Material	1	Housing	PBT
	2	Terminal	Copper Alloy
Color		Black	

Package

Package	Remark
Box	1,274 EA